



**TEL: 1-866-XANATOS**

# **INSTALLATION INSTRUCTIONS**

**PART#:17GT23MSS\17GT23MA**  
**MODULAR GRILL GUARD FOR CHEVY SILVERADO 1/2 TON 99-02**

QTY	DESCRIPTION
1	guard, center section
1	brush guard, left side
1	brush guard, right side
1	wire guard insert, left side
1	wire guard insert, right side
1	lower support bracket-left
1	lower support bracket-right
1	hardware kit

**NOTE:** Please read this information before assembling. Check components received with components listed above. **NO DRILLING REQUIRED.** Complete step by step instruction sheets will be found on the following pages.

- 1<sup>st</sup>. Stage, mounting of guard to vehicle.
- 2<sup>nd</sup>. stage, attaching brush guards to center section.
- 3<sup>rd</sup> . stage, attaching wire head light guards.

**IMPORTANT:** To obtain correct installation, we recommend you to follow these step by step instructions carefully.

Illustrations are for reference only, styles vary with application. Please review the instruction sheet before proceeding to assemble product.

Please take care when assembling and installing this product to protect the finish and your investment. To protect your investment, wax this product after installing. Regular waxing is recommended. Do not use any type of polish or wax that contains abrasive that could damage the finish.

# INSTALLATION INSTRUCTIONS

## 1<sup>ST</sup> STAGE

- 
- 1 Set Front Guard
  - 1 Set Lower Support Brackets (LEFT & RIGHT, WHEN SITTING IN THE CAR)
  - 10 pc M12 x 30 Hex Bolt-zinc plated
  - 10 pc M12 Lock Nut-zinc plated
  - 20 pc M12 Flat washer-zinc plated
- 

**NOTE:** Please read this information before attempting to install this product. The manufacturer is in no way responsible for any damage to the vehicle or personal injury that may occur during the installation or use of this product. Check components received with components listed below. **NO DRILLING REQUIRED.**

**Step One:** Remove the factory tow hooks from the vehicle if so equipped. If the vehicle did not come with the factory tow hooks it is necessary cut out the area of the lower valance where the hooks would have been.

**Step Two:** Locate Left Lower Support Bracket, Two M12 x 30 Bolts, Two Lock Nuts, and Four Flat washers. Position bracket under the frame. Loosely attach the Left Lower Support Bracket to frame using the hardware listed in this step (Figure 1). Repeat this procedure on the opposite side of vehicle.

**Step Three:** Locate the remaining M12 hardware and position the Front Guard to the inside of the Support Brackets. Attach the Guard to the Support Brackets using the hardware listed in this step (Figure 2). Maintain a 3/16" gap between the guard and the vehicle's bumper.

**Step Four:** After checking for proper clearance and alignment of the Front Guard on the vehicle fully tighten all hardware.

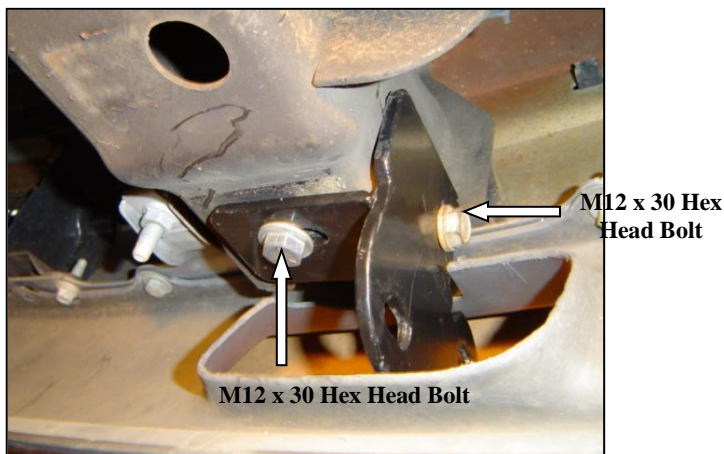
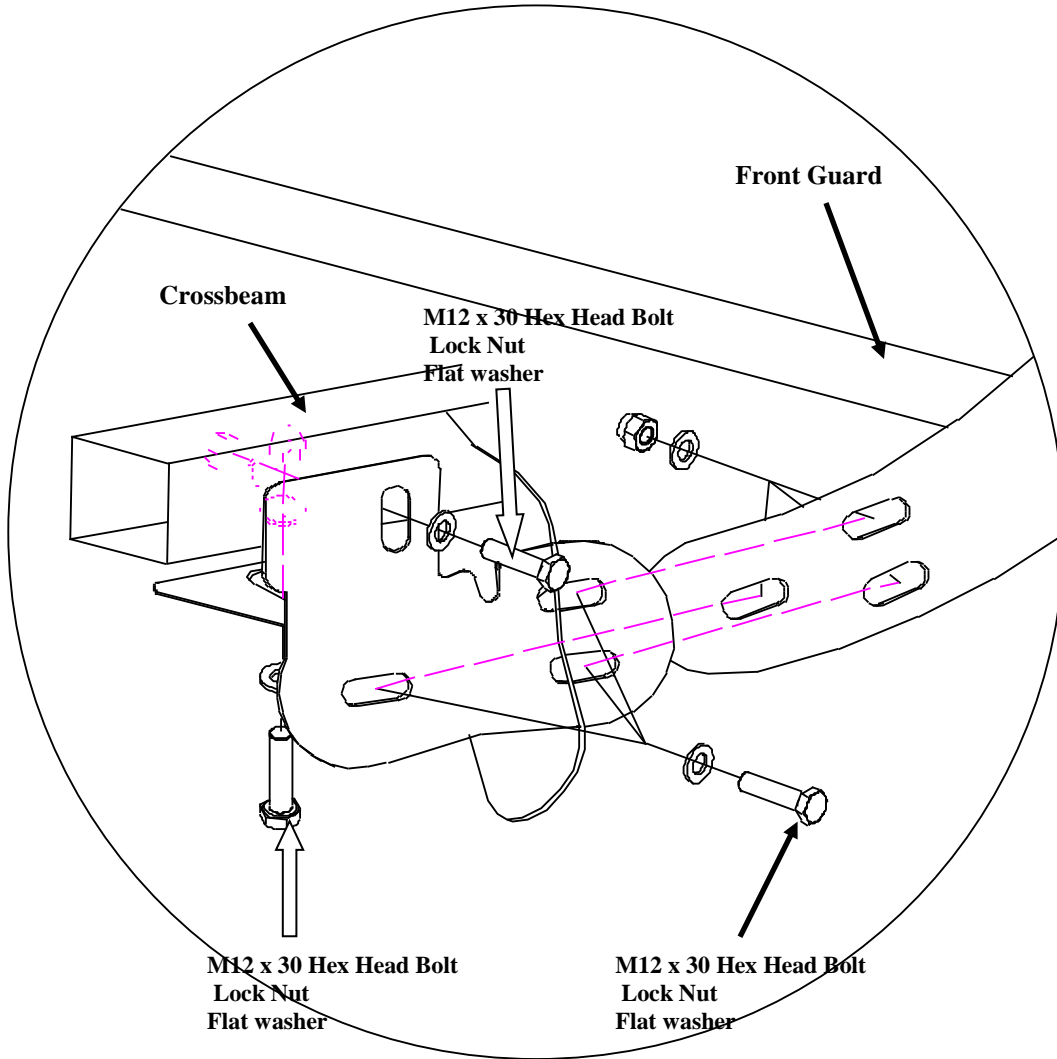


Figure 1



Figure 2



# INSTALLATION INSTRUCTION

## 2<sup>nd</sup> STAGE

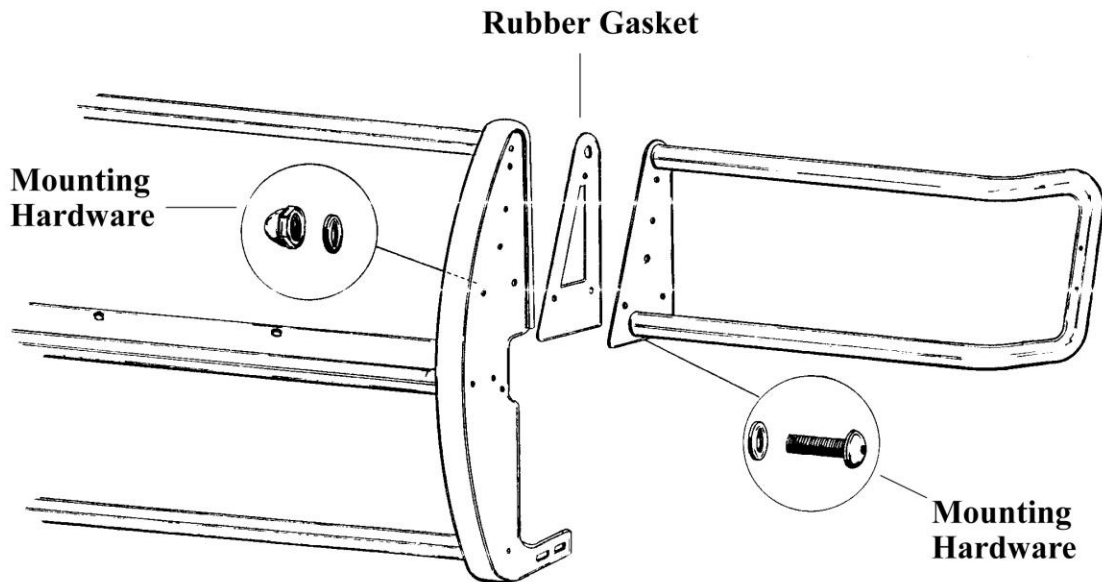
Step One: Locate hardware. Check contents with the hardware listed below.

QTY	DESCRIPTION
6	M8-1.25 x 20 button head bolts, stainless steel
6	M8-1.25 acorn nuts, stainless steel
12	M8 flat washers, stainless steel
2	rubber gaskets

Step Two: Securing brush guards to center section. Locate the following item's listed below.

QTY	DESCRIPTION
1	brush guard, left side
1	brush guard, right side

Assemble the brush guards to the center section of the guard as shown in illustration below. Use the hardware from step one to secure the parts together. Be sure to fully tighten all hardware at this time. Proceed ahead to stage four of the instruction sheet.



## INSTALLATION INSTRUCTION

### 3<sup>rd</sup> STAGE

Step One: Locate hardware. Check contents with the hardware listed below.

QTY	DESCRIPTION
8	M6-1.00 x 25mm button head bolts, stainless steel
4	M6-1.00 acorn nuts, stainless steel
12	M6 flat washers, stainless steel
4	rubber gaskets

Step Two: Securing wire insert to brush guards. Locate the following item's listed below.

QTY	DESCRIPTION
2	wire guard insert, left & right side

Attach one rubber gasket to each end of the wire guard. Peel the paper backing off the rubber gasket. Place the gasket on the end of the bracket and press firmly till the gasket is secured in place.

Position the wire insert on the driver's side of the vehicle. Align the two holes in the bracket with the two holes in the brush guard as shown in illustration below. Using the hardware listed in step one, secure the wire insert to the brush guard. Be sure to fasten both ends before fully tightening hardware. Repeat this procedure on the opposite side of the vehicle. Be sure to use all hardware supplied and tighten all bolts.

