



TEL: 1-866-XANATOS

INSTALLATION INSTRUCTIONS

PART#:17GJ23MSS\17GJ23MA
MODULAR GRILL GUARD FOR CHEVY TAHOE 92-99/SUBURBAN 92-99

QTY	DESCRIPTION
1	guard, center section
1	brush guard, left side
1	brush guard, right side
1	wire guard insert, left side
1	wire guard insert, right side
1	lower support bracket-left
1	lower support bracket-right
1	hardware kit

NOTE: Please read this information before assembling. Check components received with components listed above. **NO DRILLING REQUIRED.** Complete step by step instruction sheets will be found on the following pages.

- 1st. Stage, mounting of guard to vehicle.
- 2nd. stage, attaching brush guards to center section.
- 3rd. stage, attaching wire head light guards.

IMPORTANT: To obtain correct installation, we recommend you to follow these step by step instructions carefully. Illustrations are for reference only, styles vary with application. Please review the instruction sheet before proceeding to assemble product.

Please take care when assembling and installing this product to protect the finish and your investment. To protect your investment, wax this product after installing. Regular waxing is recommended. Do not use any type of polish or wax that contains abrasive that could damage the finish.

INSTALLATION INSTRUCTIONS

1ST STAGE

- 6 pc M6 x 30 hex bolt-zinc plated
- 6 pc M6 hex self-locking nut-zinc plated
- 12 pc M6 flat washer-zinc plated
- 6 pc M10 x 30 hex bolt-zinc plated
- 6 pc M10 hex self-locking nut-zinc plated
- 12 pc M10 flat washer
- 4 pc M12 x 30 hex bolt-zinc plated
- 4 pc M12 hex self locking nut-zinc plated
- 8 pc M12 flat washer-zinc plated
- 2 pc lower support brackets (LEFT & RIGHT, WHEN SITTING IN THE CAR)

NOTE: Please read this information before assembling. Check components received with components listed above. **NO DRILLING IS REQUIRED.** Complete step by step instruction sheets will be found on the following pages.

Illustrations are for reference only, styles vary with application. Please proceed to next page of the instruction sheet.

IMPORTANT: To obtain correct installation, we recommend you to follow these step by step instructions carefully.

Please take care when assembling and installing this product to protect the finish and your investment. To protect your investment, wax this product after installing. Regular waxing is recommended. Do not use any type of polish or wax that contains abrasive that could damage the finish.

INSTALLATION INSTRUCTION

Step One: Locate hardware kit and check contents with the hardware listed below.

Note: Some vehicles are equipped with a spoiler attached to the bottom of the bumper. Some spoilers have a section removed for the tow hooks to fit through and others are solid. If the vehicle being work on is equipped with a solid spoiler, then it may be necessary to remove the spoiler from the bumper in order to install the guard. You may retain the spoiler by removing two small sections from the spoiler to enable the lower portion of the guard to fit through the spoiler and attach to the lower support brackets that will be mounted to the bottom of the frame. (NOTE: The factory license plate bracket must be removed from the bumper if so equipped. Be sure to follow any state or federal laws pertaining to the display of your license plate.)

Step Two: If the vehicle came with factory tow hooks they must be removed because of interference with the mounting brackets. Orient the mounting brackets as per the illustration and attach them to the vehicle with the 12MM hardware supplied. **Do not** fully tighten hardware at this time.

Step Three: Position the guard to the outside of the two lower support brackets. Using the 10MM hardware listed in this step, secure the guard to the support brackets. Maintain a minimum of 3/16 gap between the guard and the side plate. Fully tighten all hardware.

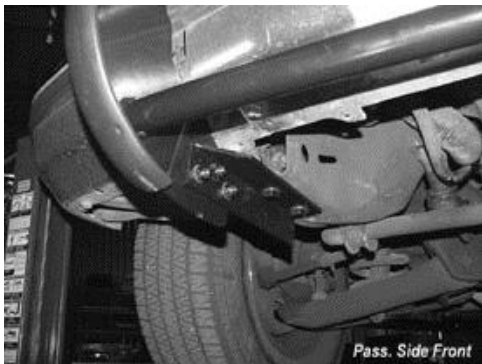


Fig. 1



Fig.2

INSTALLATION INSTRUCTION

2nd STAGE

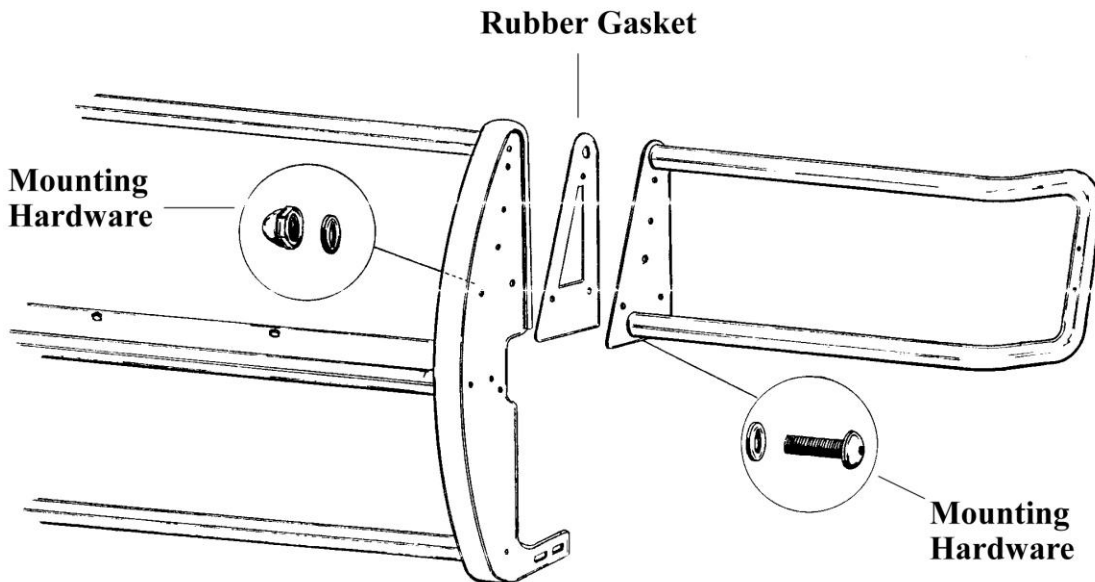
Step One: Locate hardware. Check contents with the hardware listed below.

QTY	DESCRIPTION
6	M8-1.25 x 20 button head bolts, stainless steel
6	M8-1.25 acorn nuts, stainless steel
12	M8 flat washers, stainless steel
2	rubber gaskets

Step Two: Securing brush guards to center section. Locate the following item's listed below.

QTY	DESCRIPTION
1	brush guard, left side
1	brush guard, right side

Assemble the brush guards to the center section of the guard as shown in illustration below. Use the hardware from step one to secure the parts together. Be sure to fully tighten all hardware at this time. Proceed ahead to stage four of the instruction sheet.



INSTALLATION INSTRUCTION

3rd STAGE

Step One: Locate hardware. Check contents with the hardware listed below.

QTY	DESCRIPTION
8	M6-1.00 x 25mm button head bolts, stainless steel
4	M6-1.00 acorn nuts, stainless steel
12	M6 flat washers, stainless steel
4	rubber gaskets

Step Two: Securing wire insert to brush guards. Locate the following item's listed below.

QTY	DESCRIPTION
2	wire guard insert, left & right side

Attach one rubber gasket to each end of the wire guard. Peel the paper backing off the rubber gasket. Place the gasket on the end of the bracket and press firmly till the gasket is secured in place.

Position the wire insert on the driver's side of the vehicle. Align the two holes in the bracket with the two holes in the brush guard as shown in illustration below. Using the hardware listed in step one, secure the wire insert to the brush guard. Be sure to fasten both ends before fully tightening hardware. Repeat this procedure on the opposite side of the vehicle. Be sure to use all hardware supplied and tighten all bolts.

